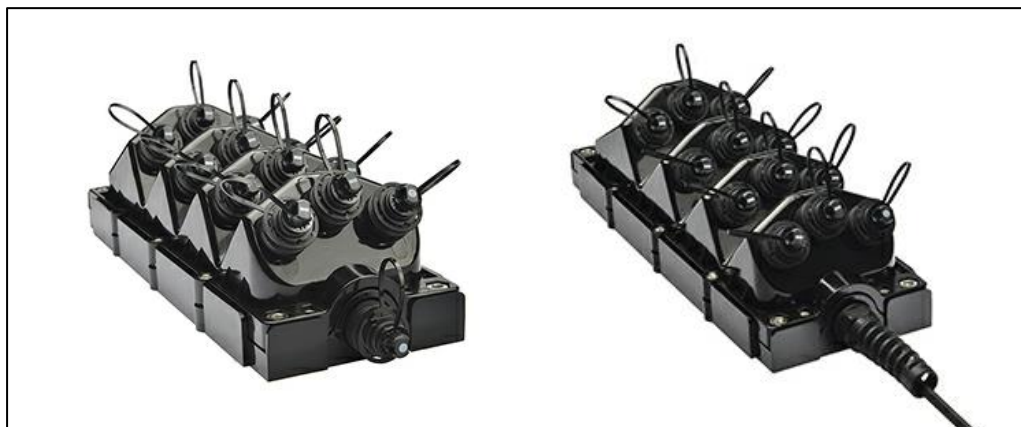
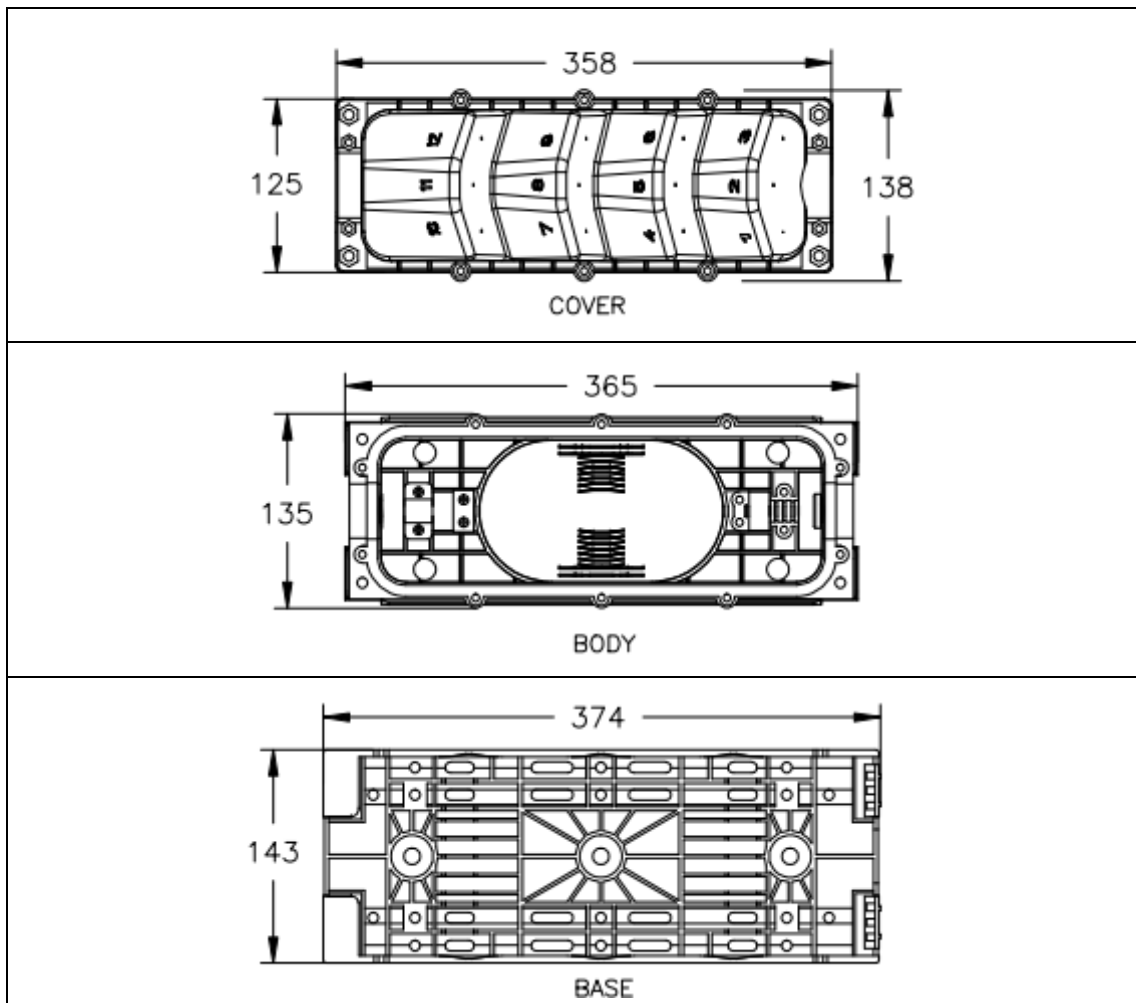

FIBERHUB® ASSEMBLY/UN-ASSEMBLY WORKING INSTRUCTION



PREPARED: JOE LEE/Production Engineer
REVIEWED: LILY ZHANG/PE Manager
APPROVED: TONY CHEN/QA Manager

1.TOOLS

- 1). 5mm Allen wrench
- 2). 6mm Allen wrench
- 3). 5mm Allen wrench adapter
- 4). 6mm Allen wrench adapter
- 5). Open-ended torque wrench
- 6). 5mm screw & nut(10pcs), 6mm screw & nut(4pcs)

**2. FiberHub COMPONENTS:**

3. PREPARE COMPONENTS:

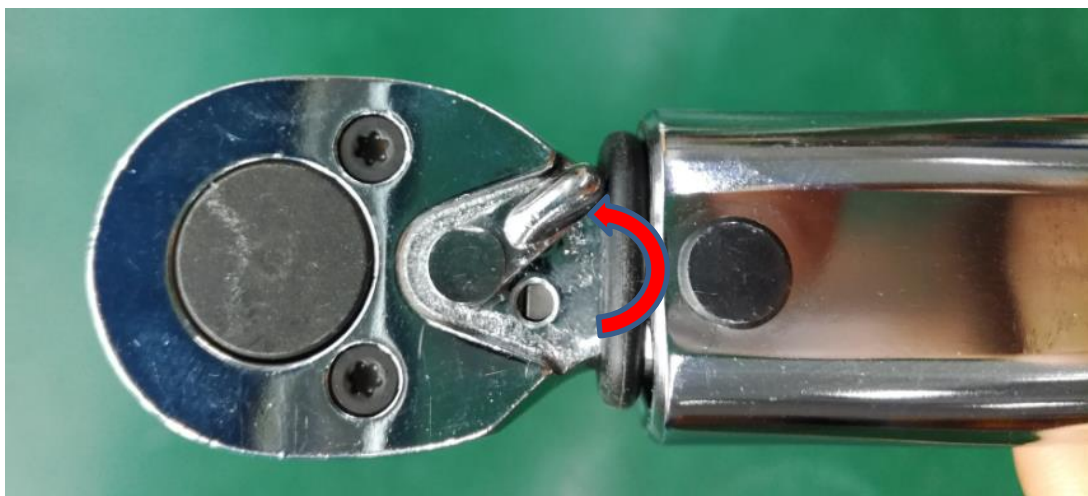
3.1 Assemble 5mm or 6mm Allen wrench adapter on open-ended torque wrench.



3.2 Turn the adjusting handle by turning clockwise to set the torque (**4.5-5Nm**).



3.3 Turn the valve at following location.



4. FiberHub Assembly

4.1 After assemble adapter, fix incoming cable, link connector & adapter together, and then cover the cover on the body.



4.2 Put 10pcs 5mm screw and 4pcs 6mm screw into the mounting hole first.



4.3 Use finger to put nut into the mounting hole and assembly by 5mm and 6mm Allen wrench.



Remark: Only use Allen wrench right side. Cannot use Allen wrench left side because of force moment is big and the force is uncontrolled.

When tighten the screw, turn 2-3 times one by one. **Can Not Screw Down One Time!** Stop tighten the screw if feel hard to turn.

4.4 Change to open-ended torque wrench to tighten screw one by one. Stop tightening till “Click” come out from open-ended torque wrench.



5. FiberHub Un-assembly

5.1 Turn the valve at following location



5.2 Use open-ended torque wrench to tighten screw one by one.



Remark: When loosen the screw, turn 1-2 times one by one. Stop loosening after 2-3 cycles.

Can Not Loosen one screw totally One Time! Loosen one screw one time totally may cause other screw hard to loosen because of uneven force.

5.3 Use Allen wrench to loosen screw one by one till nut comes out.



5.4 Turn over FiberHub after all nuts comes out. Then use Allen wrench push screw out from mounting holes. Turn over FiberHub and open.

