

## Multi Port Service Terminal (MST) Closure



### Description

The Multi Service Terminal incorporates hardened adapters and are fully OptiTap compatible. Allowing for rapid tower and FTTH deployments, the MSTs are fully IP68 rated to fully withstand the rigors of outdoor deployment in all environments. Each MST comes with easy deployment mount allowing wall mounting or for pole mounting.

### Features

- ◆ Each box can be fully assembled to reduce the need for opening and opening the field in the field.
- ◆ Hardened connectors are factory-terminated and environmentally sealed for use in optical drop cable deployments.
- ◆ Plug-and-play adapter ports ensure rapid cable installment in the outside plant access section of the network.
- ◆ Multi-port Service Terminals incorporate hardened connector technology that is designed to withstand the rugged outside plant environment.
- ◆ Factory terminated IP68 rated, high quality, high performance connectors.
- ◆ Flexible choice of ports: 2, 4, 6, 8 terminals are available.
- ◆ Kind of mounting bracket allowing for a wide range of mount options.

### Specification

Port	2, 4, 5, 6, 8, 12
Product Type	Access Terminal
IP Rate	IP68
Components Compliant	RoHs
Operating Temperature	-40 to +85°C
Adapter	OptiTap SC, OptiTap LC Duplex, OptiTap MPO
Entrance	Cable gland or OptiTap adapter
Feed Cable	1, 2, 4, 6, 8 cores for options
Feed Cable Length	Customized
Stub Type	Stub Tail
Mounting Method	Hand-hole, Pedestal, Pole, Strand, Aerial

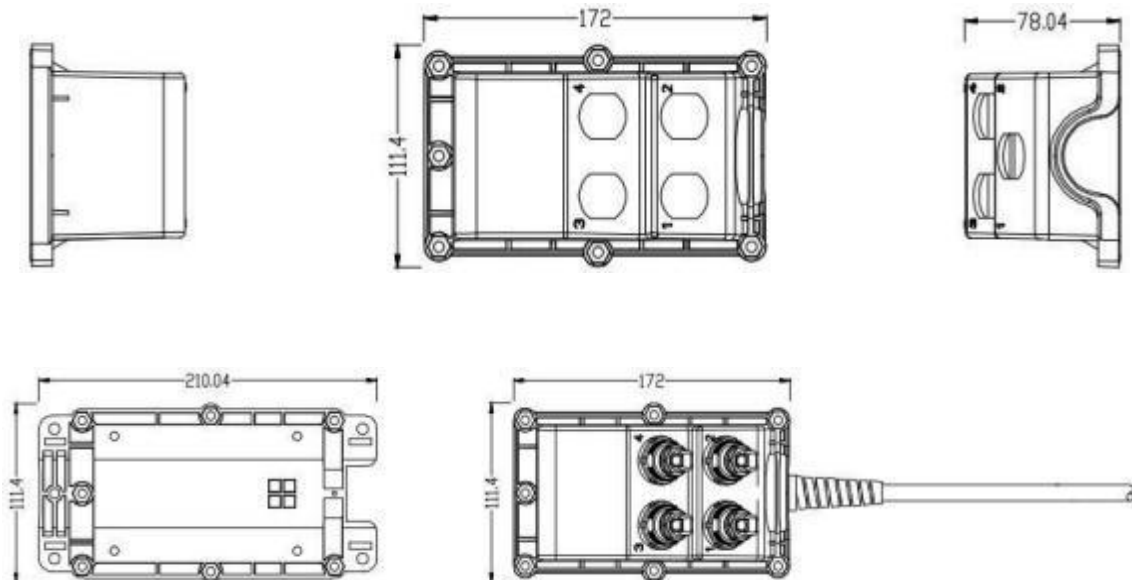
## Cable Specification

Cable Type	Flat drop cable
Cable Size	3.0x4.5mm; 4x7mm; 4.5x8.1mm; 4.5x9.8mm
Cable Quantity	1
Cable Stub Length	50meter to customized
Attenuation, maximum	0.30 dB/km @ 1550 nm   0.40 dB/km @ 1310 nm
Directivity, minimum	60 dB
Wavelength Range	1260–1635 nm
Insertion Loss, Terminal Connector, max	0.4dB
Return Loss, Connector, minimum	65dB

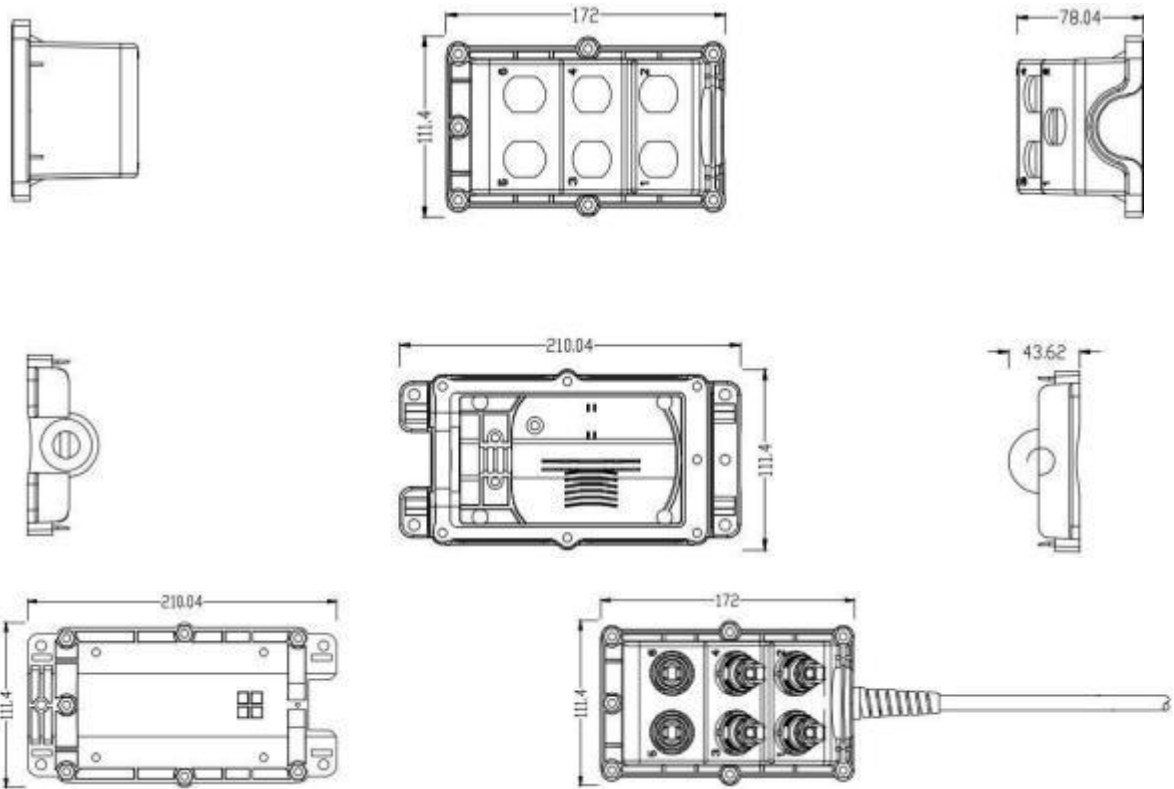
Item	Dimension
2Port	210x111x78mm
4Port	210x111x78mm
6Port	210x111x78mm or 282x111x77.5mm
8Port	282x111x77.5mm

## Technical Box Drawing

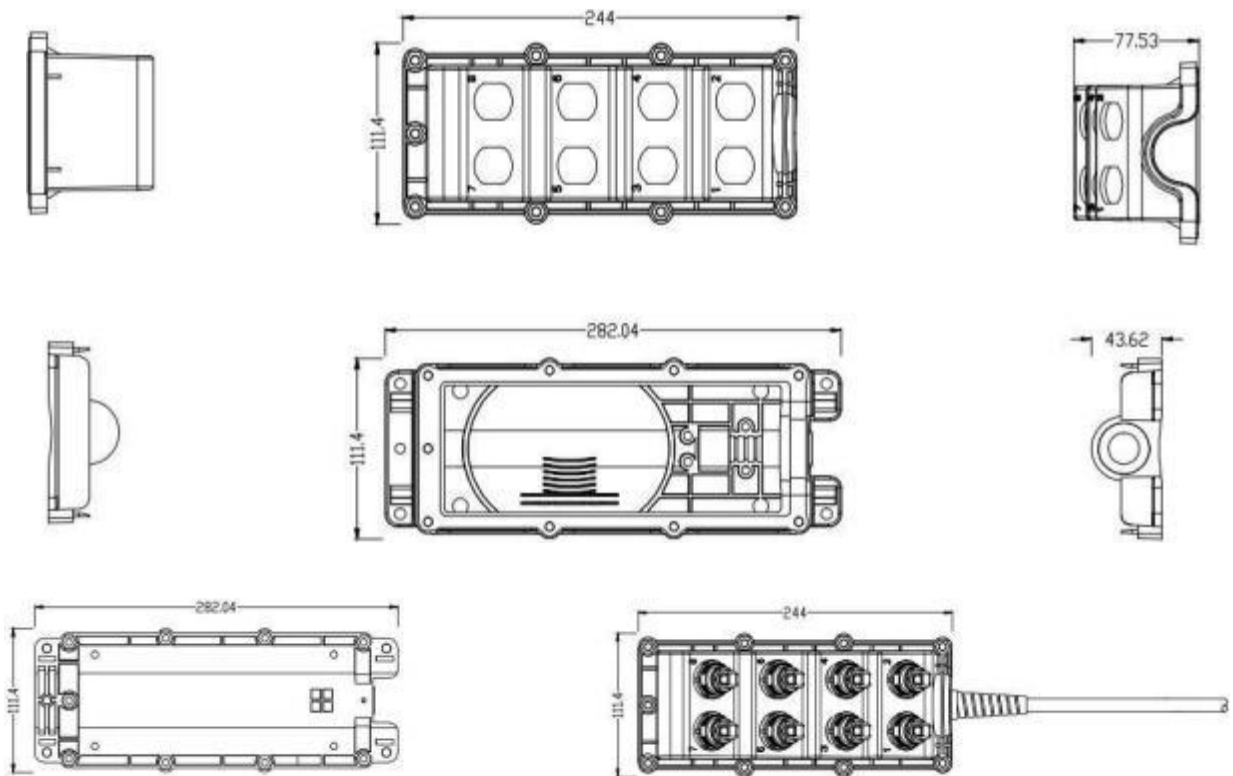
### 4Port Drawing



### 6Port Drawing



### 8Port Drawing



More Options



**2 Port MST BOX install with 1x2 PLC Splitter**



**4 Port MST BOX install with 1x4 PLC Splitter**



**4Port MST TAP with 4ct Feed Flat Drop Cable, Branch out 4 pigtails inside**



**4Port MST Closure with 1F Feed Flat Drop Cable Pigtail and 1x4 Splitter**



**5Port Multi Service Terminal Box load 1x2 FBT Splitter & 1x4 Splitter**



**6Port Multi Service Terminal Box Cable Gland Entrance**



**6Port Multi Service Terminal Box OptiTap Connector as Entrance**



**6Port Multi Service Terminal Box With 6cores Flat Drop Cable Tail**



**6Port OptiTap Box with 6fibers Flat Drop Cable, Branch out 6 pigtails inside**



**8Port MST Box OptiTap Entrance, 1x8 Splitter Inside**



**8Port Multi Service Terminal Box with 8ct Feed Flat Drop Cable Pigtail Branch out 8 pigtails inside**



**8Port MST Box with 1F Feed Drop 1x8 Splitter Inside loaded**



**4Port MST Box Fully Connectorized Indexing Chain Solution**



**8Port MST Box Fully Connectorized Indexing Chain Solution**