

Installation Manual

1、Description:

The equipment is used as a termination point for the feeder cable to connect with drop cable in FTTx communication network system. The fiber splicing, splitting, distribution can be done in this box, and meanwhile it provides solid protection and management for the FTTx network building.

2、Features:

- 1、 Total enclosed structure.
- 2、 Material: PC+ABS, wet-proof、water-proof、dust-proof、anti-aging, protection level up to IP55.
- 3、 Clamping for feeder cable and drop cable, fiber splicing, fixation, storage, distribution...etc all in one.
- 4、 Cable, pigtailed, patch cords are running through own path without disturbing each other, cassette type SC adaptor installation, easy maintenance.
- 5、 Distribution panel can be flipped up, feeder cable can be placed in a cup-joint way, easy for maintenance and installation.
- 6、 Cabinet can be installed by the way of wall-mounted or poled-mounted, suitable for both indoor and outdoor uses.

3、Specification:

- 1、 Environmental requirement

Working temperature: $-40^{\circ}\text{C}\sim+85^{\circ}\text{C}$

Relative humidity: $\leq 85\%$ ($+30^{\circ}\text{C}$)

Atmospheric pressure: $70\text{KPa}\sim 106\text{KPa}$

- 2、 Main technical datasheet

Insertion loss: $\leq 0.2\text{dB}$

UPC return loss: $\geq 50\text{dB}$

APC return loss: $\geq 60\text{dB}$

Life of insertion and extraction: >1000 times

- 3、 Thunder-proof technical datasheet

The grounding device is isolated with the cabinet, isolation resistance is less than $2\times 10^4\text{M}\Omega/500\text{V}$ (DC) ;

$\text{IR}\geq 2\times 10^4\text{M}\Omega/500\text{V}$

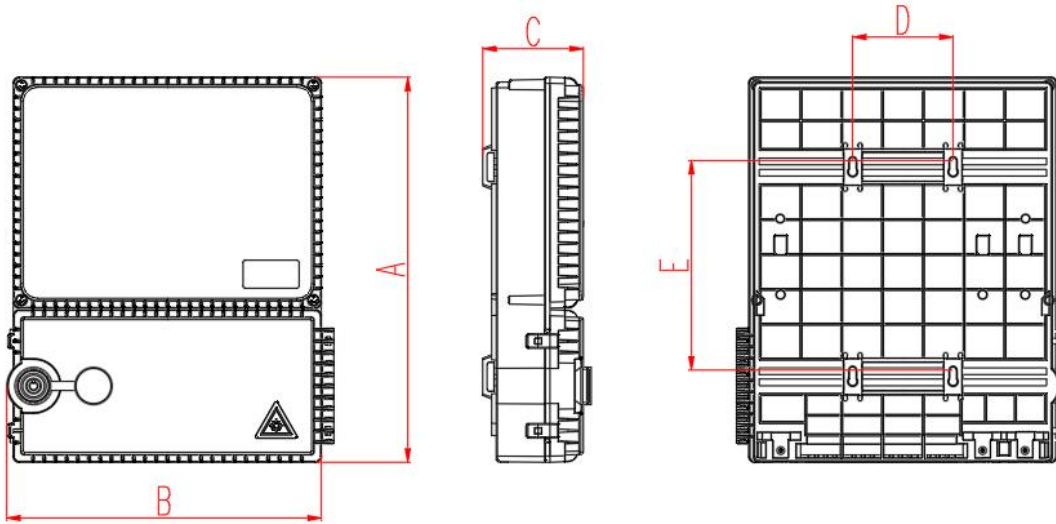
The withstand voltage between grounding device and cabinet is no less than 3000V (DC) /min, no puncture, no flashover; $U\geq 3000\text{V}$

4、 Configuration table:

Table 1 Model and configuration

Model	Description	Size (Pic 1)	Max Capacity		Installation Size (Pic 2)	Into the largest cable diameter	Cable ways
		A*B*C (mm)	SC	PLC	D*E (mm)		
FTB-16R	Distribution Box	343*281*90	16	16 (SC)	89.5*187	15mm	Not cut-joint / cut-joint

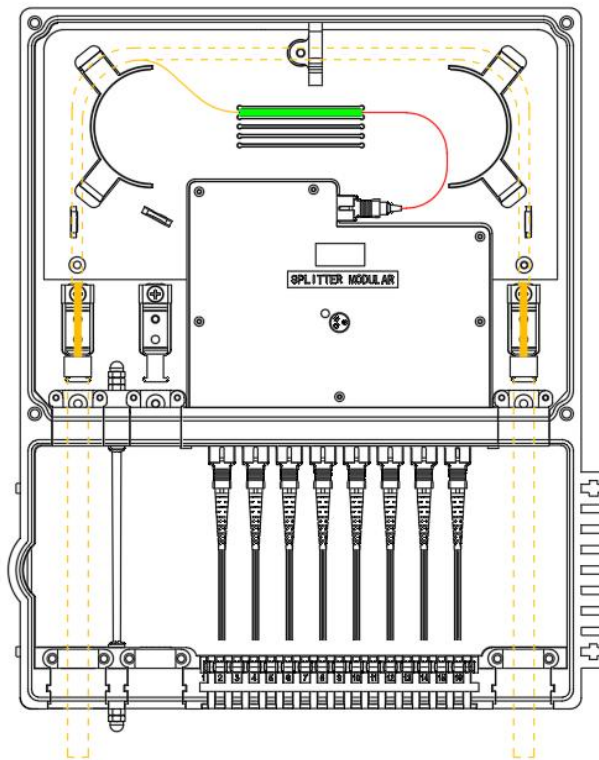
Installation Manual



Pic 1 Box Size

Pic 2 Installation Size

5、 Product cable ways:



Pic 4 Cable ways

6、 Installation:

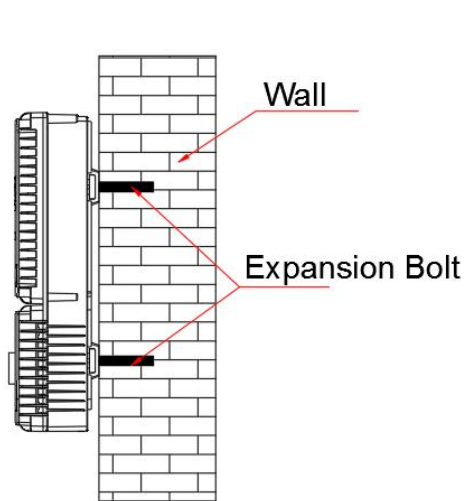
1. Wall-mounted installation

Drill 4 holes over the wall based on the size in table 1, place the expansion bolt $\Phi 7.5*40$, place the box to match up the holes and use bolt to fasten. (Pic 4)

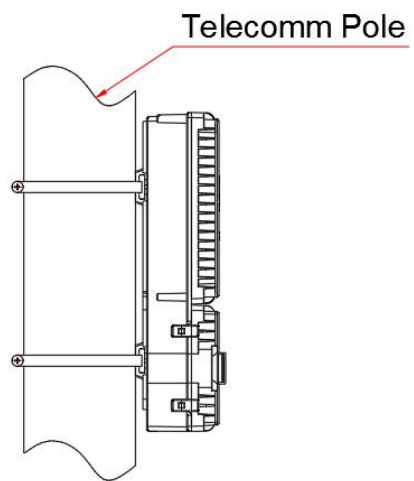
2. Pole-mounted installation

Fix 1 set of the easy pole ring to the telecom pole . (Pic 5)

Installation Manual



Pic 5 Wall mounted installation



Pic 5 Pole ring installation

7、Accessories:

1. Users' Manual*1。
2. Key*1。
3. Accessories Bag * 1
5. Easy pole ring*2 (Option)